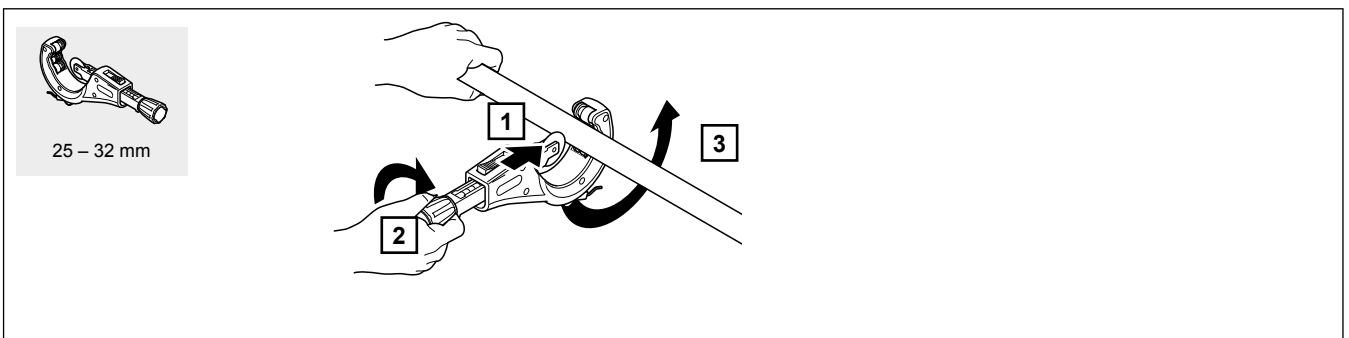
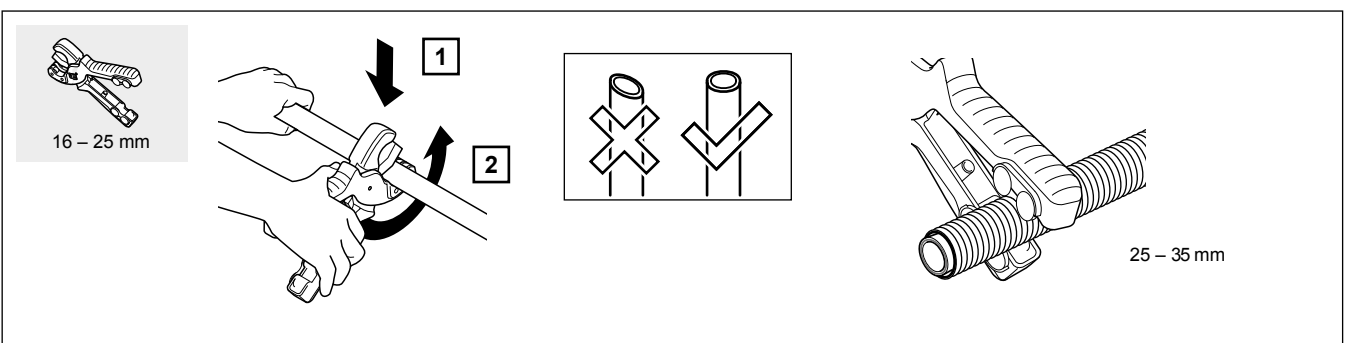
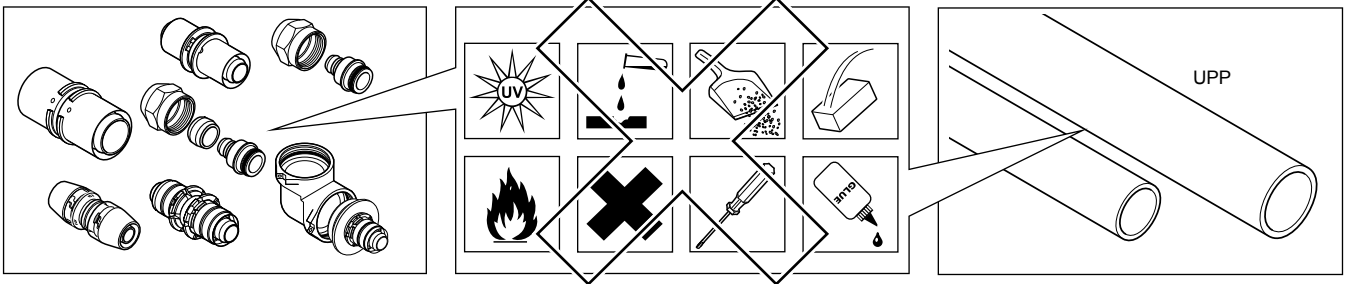


## Uponor Uni Pipe PLUS 16 – 32 mm





$d_a$ [mm]	$R_{min}$ [mm]	
16	64	64
20	80	80
25	125	125
32	160	-

$d_a$ [mm]	$R_{min}$ [mm]	
16	48	48
20	60	60
25	75	75

$d_a$ [mm]	$R_{min}$ [mm]	
16	48	48
20	60	60
25	75	75
32	96	-

$d_a$ [mm]	$R_{min}$ [mm]		$L_{90^\circ}$ [mm]
16	32	32	92
20	40	40	88
25	62,5	62,5	92
32	80	80	88

$$\Delta l \text{ [mm]} = \Delta\theta \text{ [K]} \cdot 0,025 \frac{\text{mm}}{\text{m}\cdot\text{K}} \cdot L \text{ [m]}$$

$$BS \text{ [mm]} = 30 \cdot \sqrt{d_a \text{ [mm]} \cdot \Delta l \text{ [mm]}}$$



Dim. [mm]	L <sub>max</sub> [m]	
16 x 2,0	1,20	2,00
20 x 2,25	1,30	2,30
25 x 2,5	1,50	2,60
32 x 3,0	1,60	2,60

Dim. [mm]	L <sub>max</sub> [m]	
16 x 2,0	-	2,30
20 x 2,25	-	2,60
25 x 2,5	-	3,00
32 x 3,0	-	3,00



**optional**

16 – 32 mm

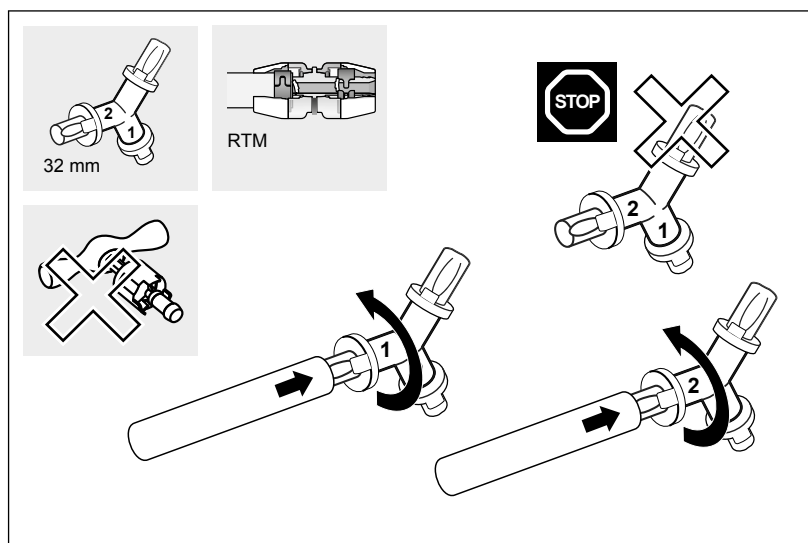
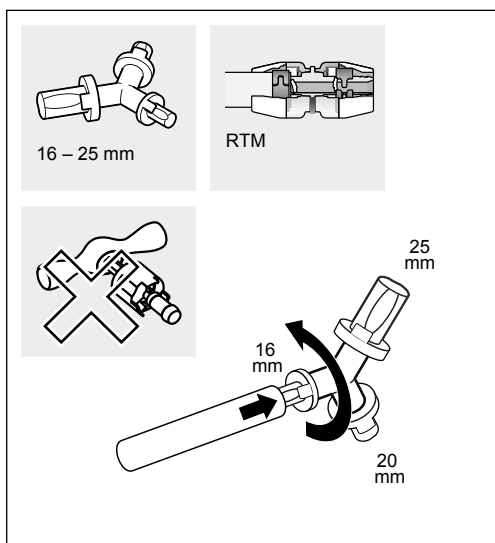
16 – 32 mm

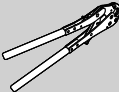






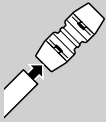







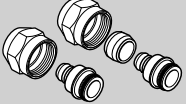
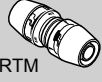
PPSU

16 – 25 mm

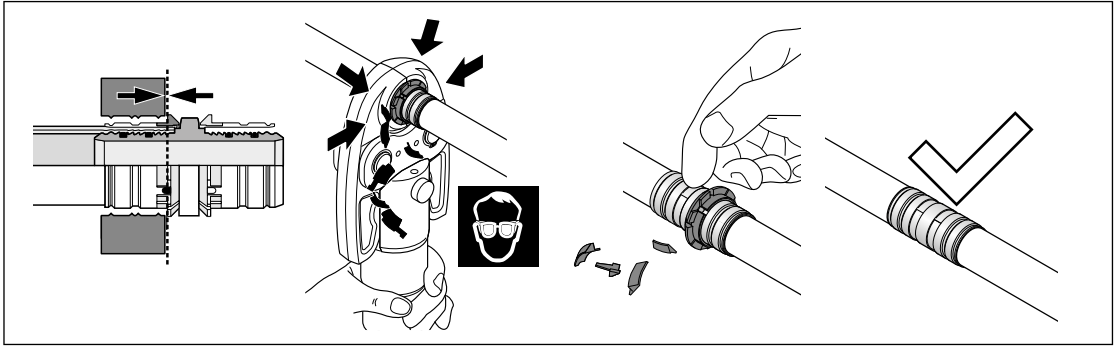
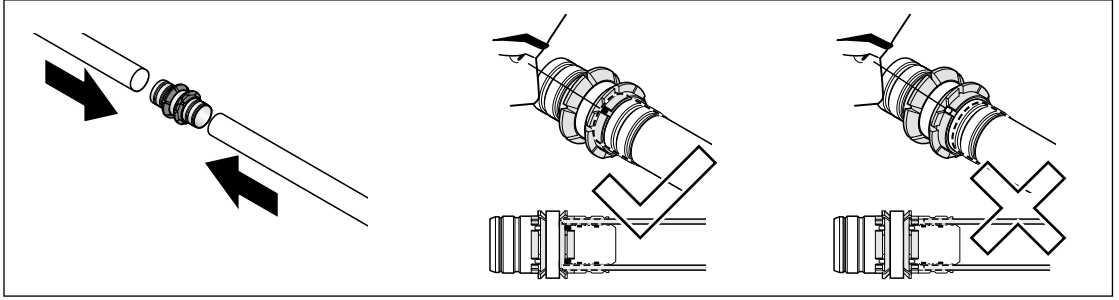
16 – 32 mm

RTM



	 	UP110 UP75  	UP75 EL 	Mini2 Mini 		
		 UPP1		 UPP1		
 PPSU	16 – 20		16 – 32	16 – 32	–	–
 PPSU	16 – 20		16 – 32	16 – 32	–	–
 PPSU	–		 16 – 32	 16 – 20	–	–
 PPSU	–		–	–	16 – 25	–
 RTM	–		–	–	–	16 – 32

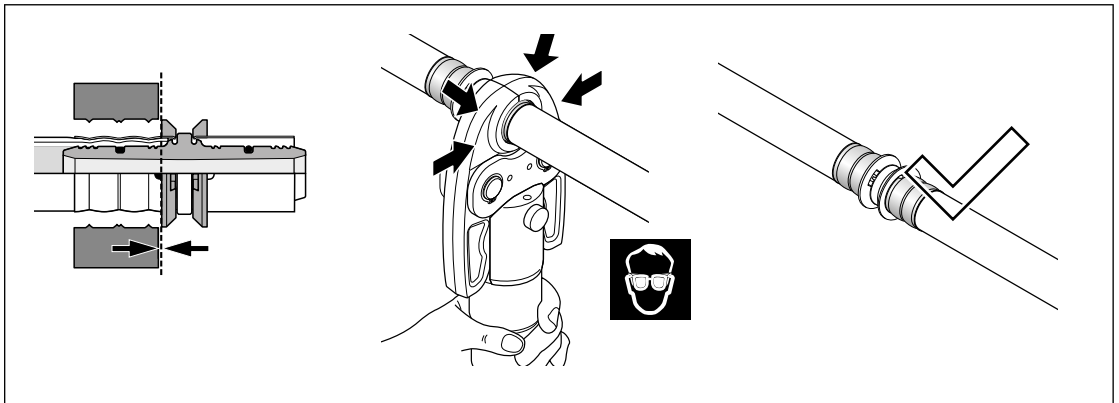
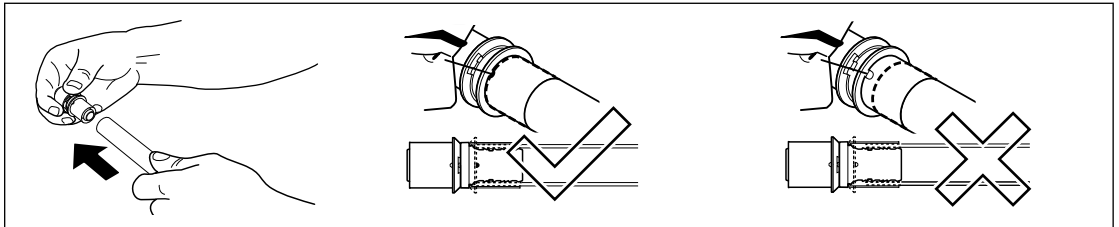
16 – 32 mm



16 – 32 mm



PPSU





**1**

Fitting Dim.	X [mm]
16 – 1/2"	8
20 – 1/2"	10

Fitting Dim.	X [mm]
16 – 3/4"	10
20 – 3/4"	10
25 – 3/4"	11

Fitting Dim. [mm]	X [mm]
NL 16–15	8
NL 20–22	10
NL 25–22	14

Fitting Dim.	X [mm]
16 – M 22	9
16 – M 24	9
16 – 1/2" Geberit	9

**2**

**3**

**4**



Nm

